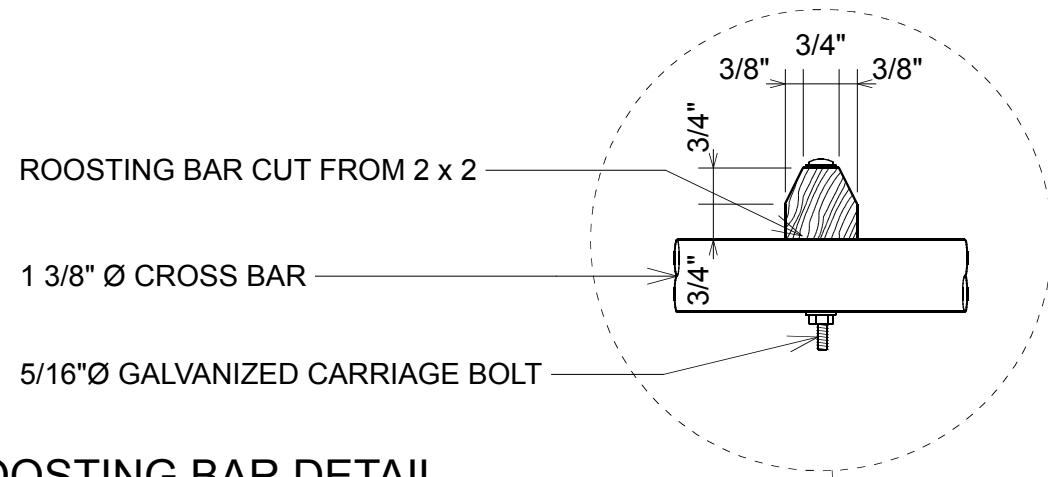


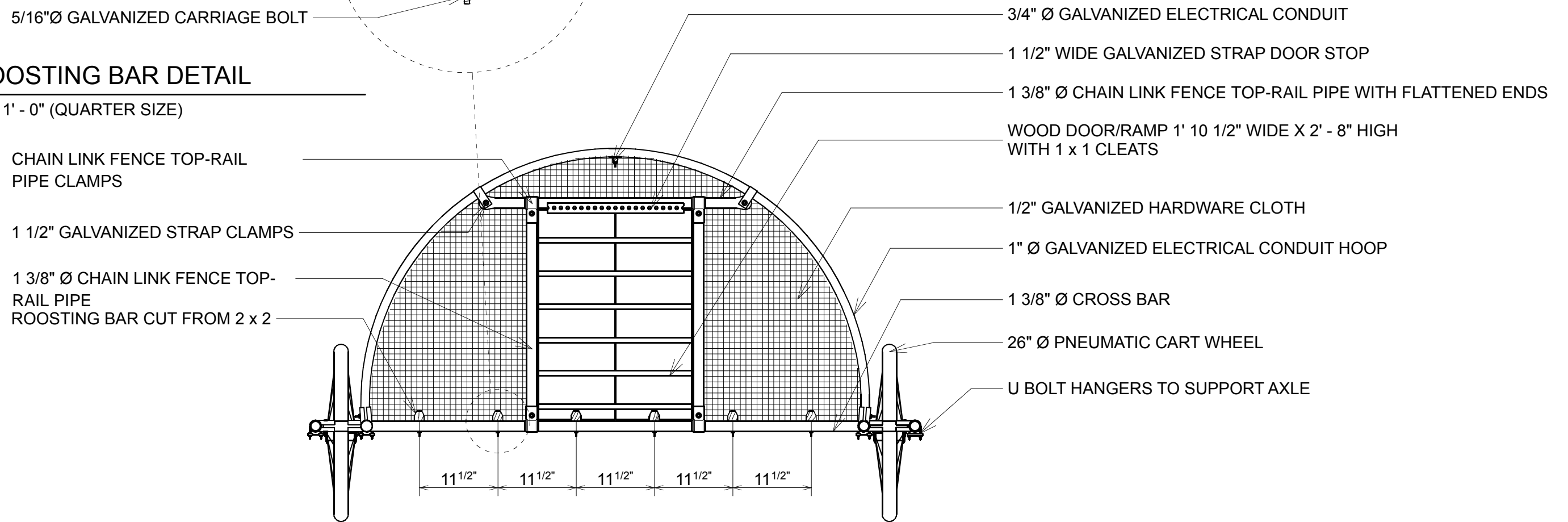
**CHICKEN CART PLAN**

3/4" = 1' - 0"



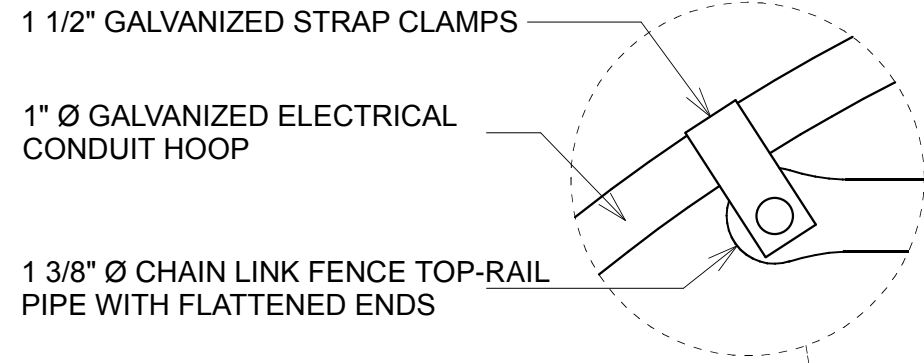
**ROOSTING BAR DETAIL**

3" = 1' - 0" (QUARTER SIZE)



**SECTION LOOKING TOWARD REAR**

3/4" = 1' - 0"



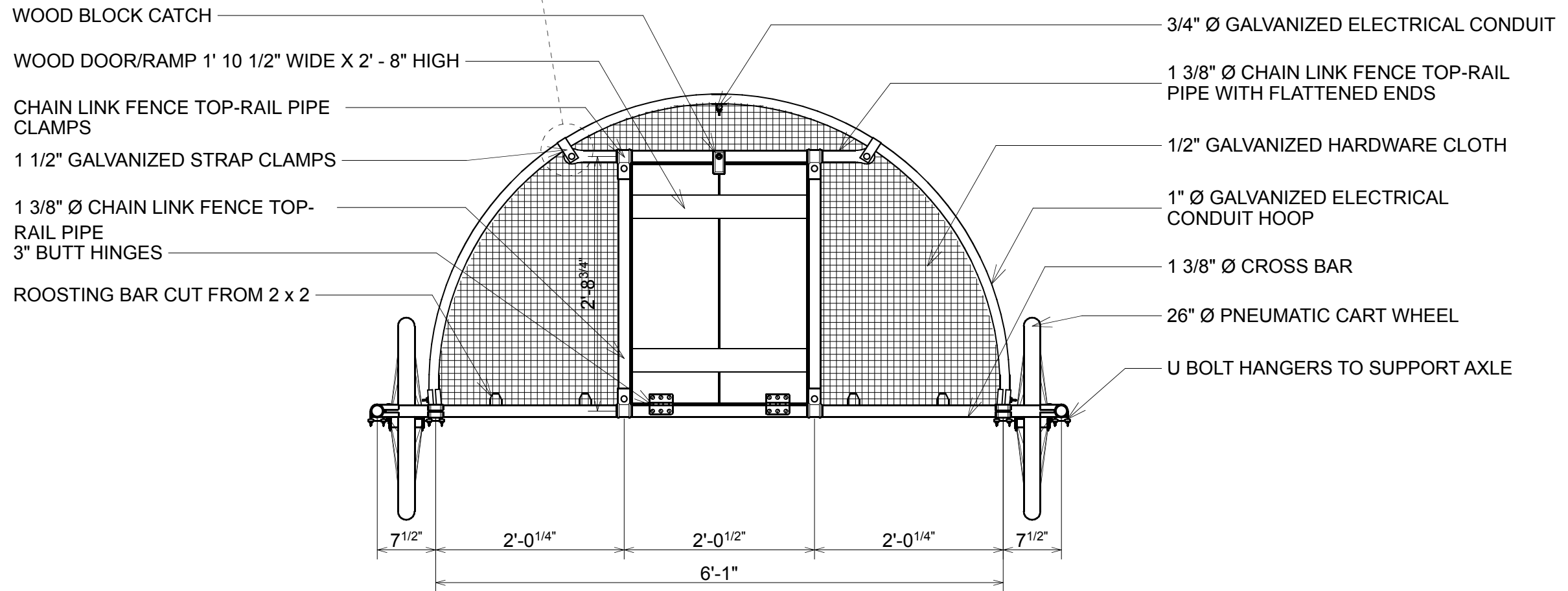
1 1/2" GALVANIZED STRAP CLAMPS

1" Ø GALVANIZED ELECTRICAL CONDUIT HOOP

1 3/8" Ø CHAIN LINK FENCE TOP-RAIL PIPE WITH FLATTENED ENDS

### CONNECTION DETAIL

3" = 1' - 0" (QUARTER SIZE)



WOOD BLOCK CATCH

WOOD DOOR/RAMP 1' 10 1/2" WIDE X 2' - 8" HIGH

CHAIN LINK FENCE TOP-RAIL PIPE CLAMPS

1 1/2" GALVANIZED STRAP CLAMPS

1 3/8" Ø CHAIN LINK FENCE TOP-RAIL PIPE  
3" BUTT HINGES

ROOSTING BAR CUT FROM 2 x 2

3/4" Ø GALVANIZED ELECTRICAL CONDUIT

1 3/8" Ø CHAIN LINK FENCE TOP-RAIL PIPE WITH FLATTENED ENDS

1/2" GALVANIZED HARDWARE CLOTH

1" Ø GALVANIZED ELECTRICAL CONDUIT HOOP

1 3/8" Ø CROSS BAR

26" Ø PNEUMATIC CART WHEEL

U BOLT HANGERS TO SUPPORT AXLE

### REAR ELEVATION

3/4" = 1' - 0"

3/4" Ø GALVANIZED  
ELECTRICAL CONDUIT

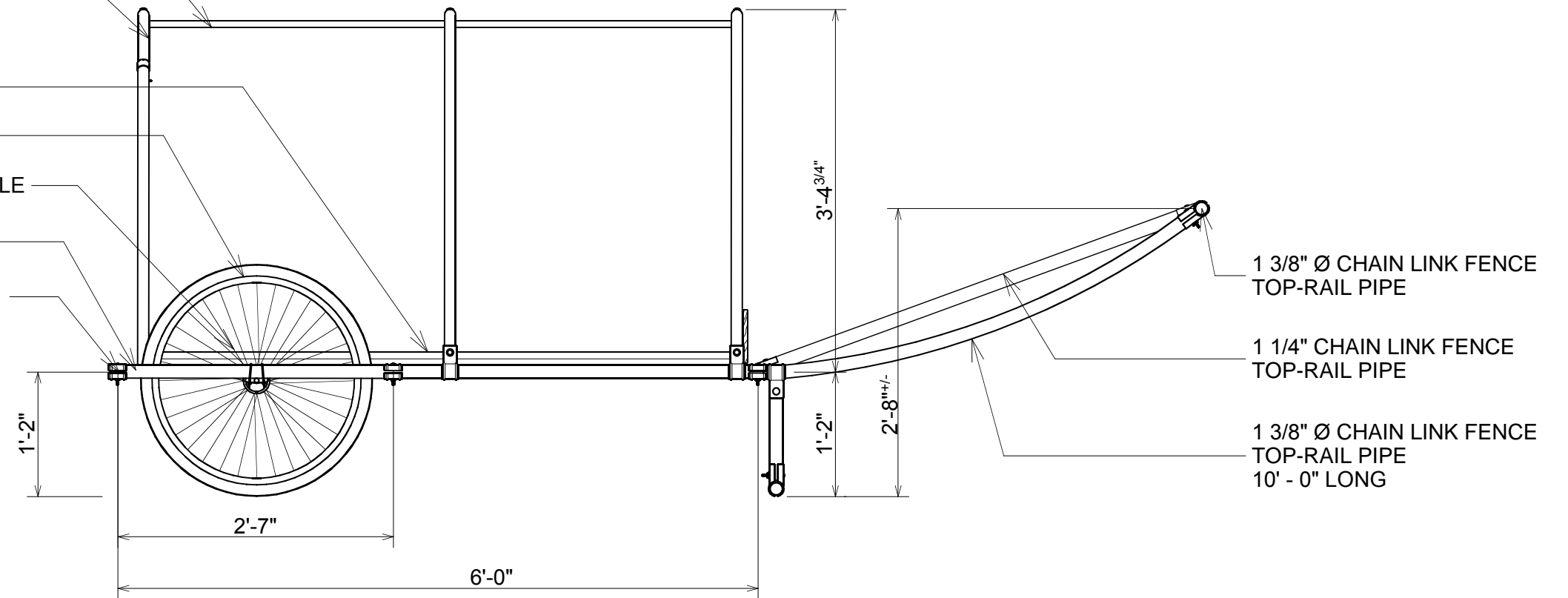
1" Ø GALVANIZED ELECTRICAL  
CONDUIT HOOP

ROOSTING BAR CUT FROM 2 x 2

26" Ø PNEUMATIC CART WHEEL

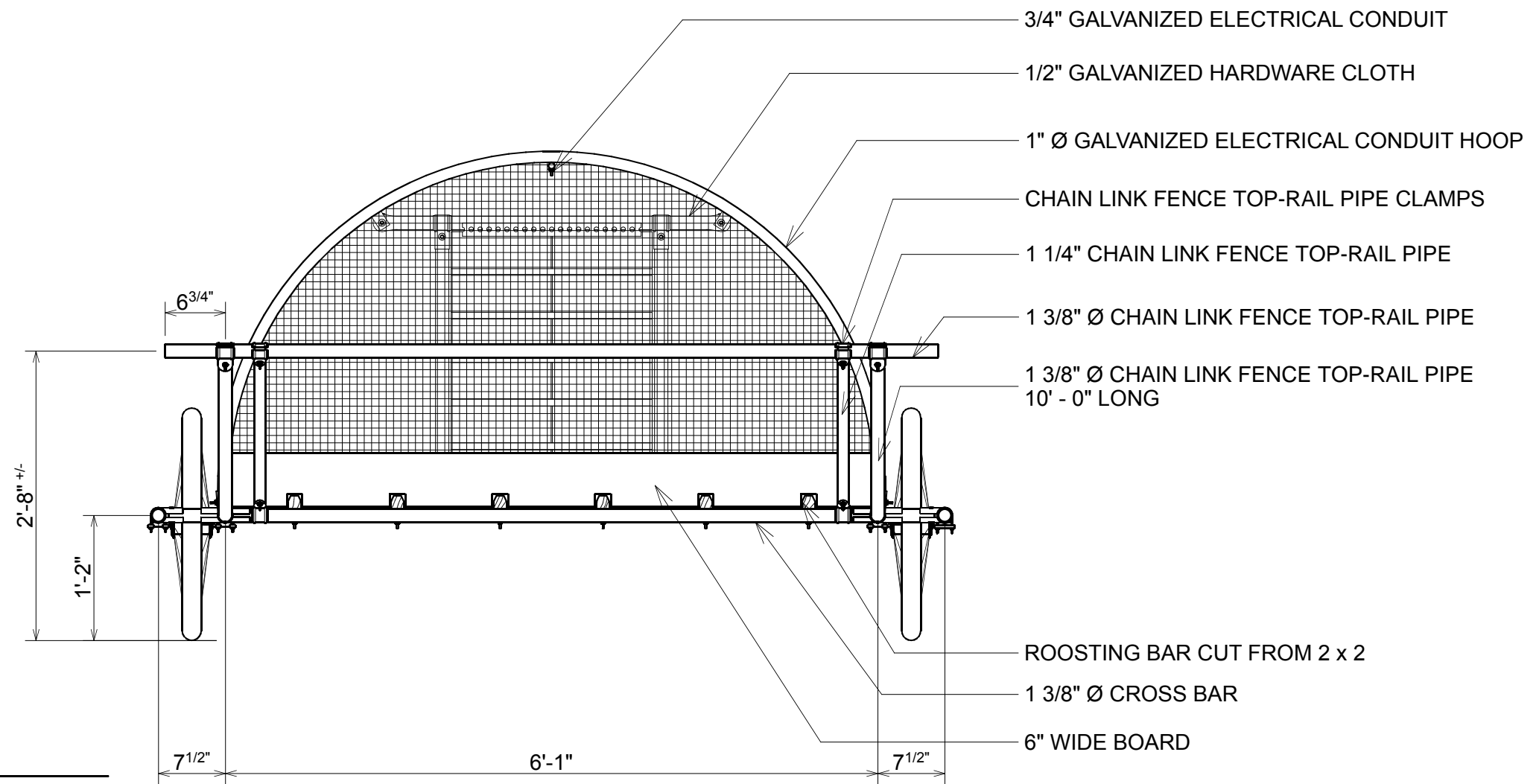
U BOLT HANGERS TO SUPPORT AXLE

1 3/8" Ø CHAIN LINK FENCE TOP-  
RAIL PIPE  
CHAIN LINK FENCE TOP-RAIL  
PIPE CLAMPS



## SIDE ELEVATION

3/4" = 1' - 0"



**FRONT ELEVATION**

3/4" = 1' - 0"

We initially used the Chickshaw for broilers and to raise laying hens up to laying age. When we started using the Chickshaw to house mature hens in lay we modified the design. The new design has a steeper roof and wires to prevent the hens from roosting on top instead of going in at night. We also added a community laying box to the rear.

